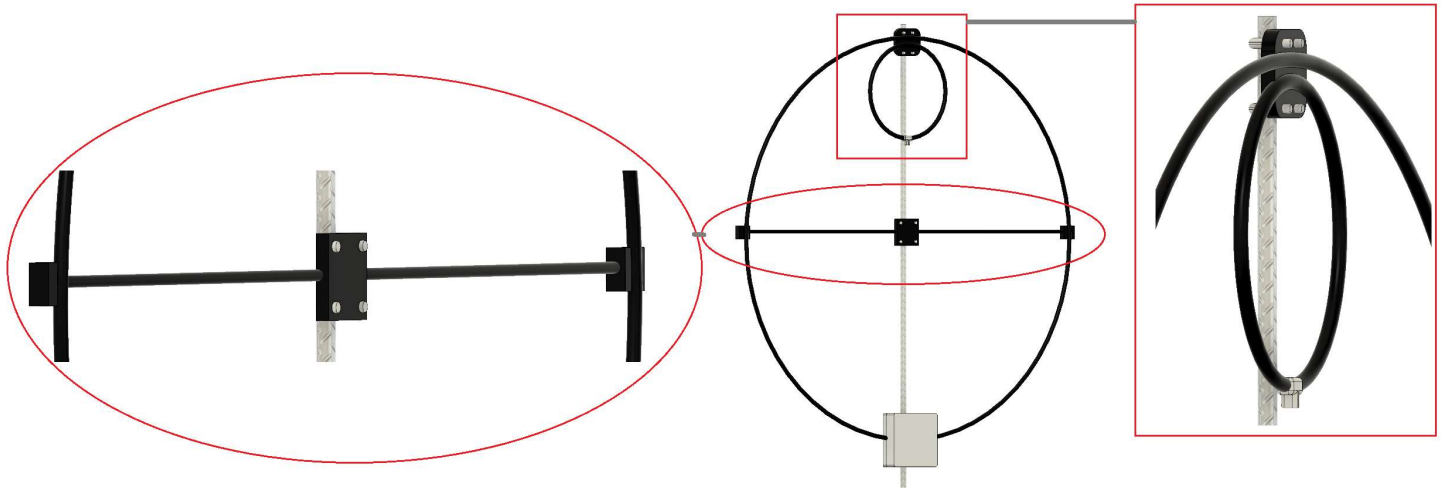


α ALPHA ANTENNA®

Model – Base Loop Version 2.0, November 11, 2021

Overview

The Base Loop is designed to operate from 10-40 meters, and is rated at 100W PEP SSB, 50W CW, or 10W digital.



Assembled – Base Loop

Operation

The Remote has a Speed control knob and Left/Right buttons, which are used for tuning. To further reduce RFI, you can plug the power supply into a dedicated power strip, which can be turned off/on.

Tuning

The following technique has proven to be the easiest method for tuning the Base Loop in nearly all scenarios:

- 1) Turn the Speed Control knob on the Remote control to the far right, which is the fastest tuning position.
- 2) Then use an inline SWR Meter, your rig's internal SWR meter, or analyzer to tune for the minimum SWR by pressing and holding the Red or Green button on the Remote Control, but never press both at the same time.
Note 1 – The tuning speed will increase when the Speed knob is turned Right and decreased when turned Left.
Note 2 – You may want to listen for the noise floor to peak, as an indication that you are close to a minimum SWR.
Tip– It takes approximately 40 seconds to tune from 40 to 10 meters with the Speed control knob turned right.
- 3) After performing step '2', you can further tune the Base Loop by slowing the tuning speed by turning the Speed Control knob to the left, which is a slower tuning position. Then tap either the Red or Green button till the SWR on your rig's internal meter, antenna analyzer, or inline SWR meter is as low as possible.

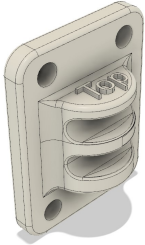

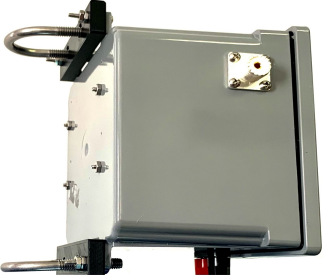

Excess RF Exposure Warning

In the United States, the Federal Communications Commission has established guidelines for human exposure to Radio Frequency (RF) electromagnetic fields. The commission's requirements are detailed in parts 1 & 2 of the FCC's rules and regulations {47 CFR, 1.1307(b), 1.1310, 22.1091, 2.1093}. It is the responsibility of the owner/operator of this device to follow all applicable warnings and precautions regarding human exposure to RF fields. Additional references:

<http://www.arrl.org/rf-exposure>

α ALPHA ANTENNA®

Support alphaantenna@gmail.com

Step	Assembly as pictured on Page 1 'Assembled – Base Loop'
1	<p>Install the following hardware towards the top of your 1.25" O.D. mast with 2 included U-bolts.</p> 
2	<p>Use a rubber mallet or hammer to tap the 2 black poles into the hardware labeled 'Center' and the 2 pieces of hardware labeled 'Horizontal'.</p>  <p>Install this on a mast about 15 inches below the hardware in Step 1 with the U-bolts.</p>
3	<p>Install the following hardware about 19" below the items in Step 2 with the included U-bolts.</p> 
4	<p>Insert the following small inner loop into the bottom slot of the hardware in Step 1. Then attach your coax from your equipment to the included t-connector on the small inner loop.</p> 
5	<p>Insert the longer coax to form the outer loop into the top slot of the hardware in Step 1. Then screw the outer loop's 2 PL-259 connectors into the SO-239 connectors on hardware in Step 3.</p>
6	<p>Connect the remote-control cable to the 2 power poles on the hardware in Step 3.</p>
7	<p>Connect the remote-control cable to the 2 power poles on the following Remote Control that will be placed at your radio. Then plug the power supply into the same Remote Control unit.</p> 